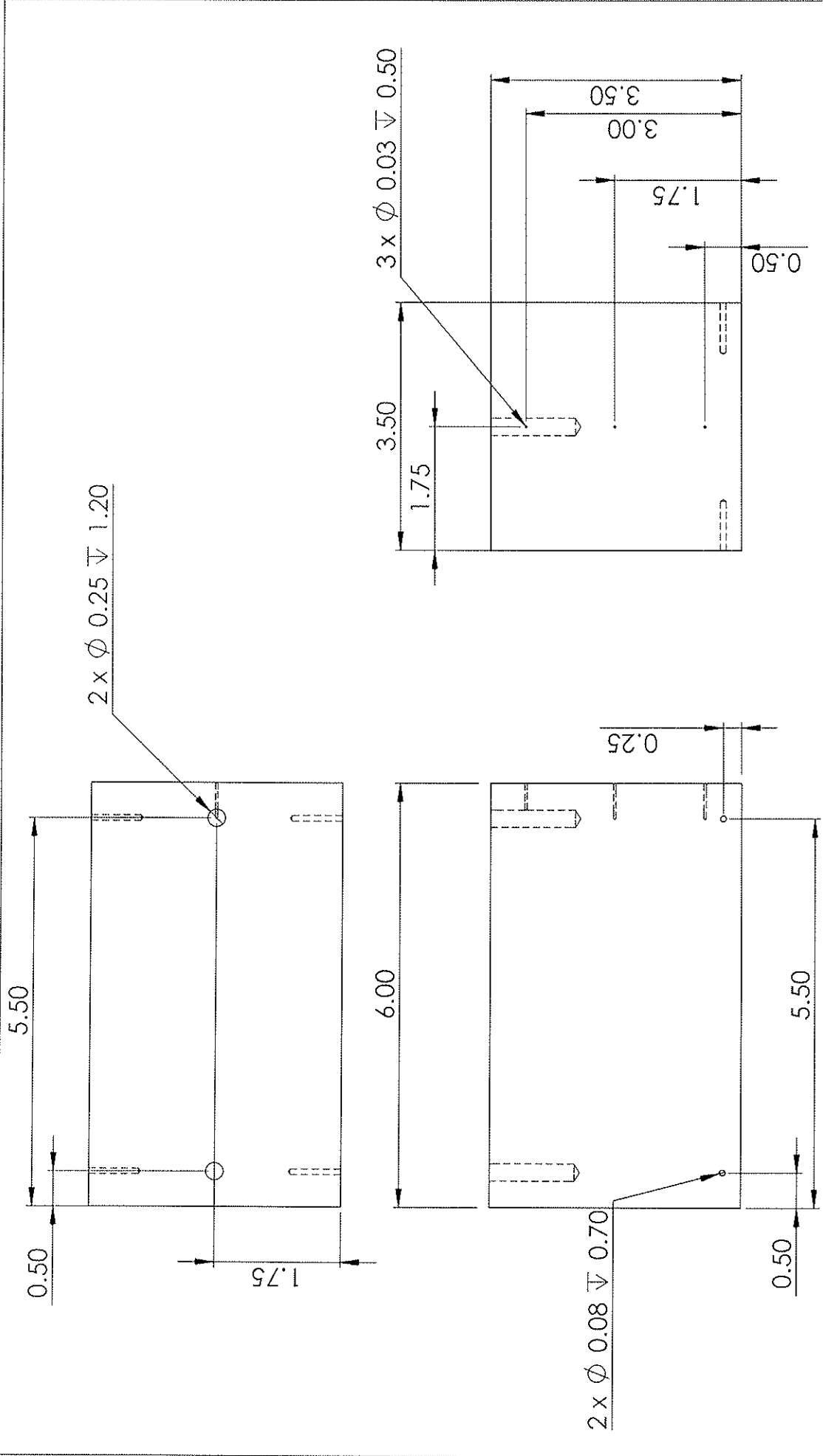


ITEM NO.	PART NUMBER	DESCRIPTION	QTY.
1	Wooden Block	4" x 4" Pine	1
2	Aluminum Post	Aluminum	2
3	Wheel	Delrin	4
4	Nail	Bright Common 4d 1-1/2" lg.	4
5	9496T33	McMaster Carr	3

UNLESS OTHERWISE SPECIFIED:	NAME	DATE
DIMENSIONS ARE IN INCHES		
TOLERANCES:		
FRACTIONAL: ±		
ANGULAR: MACH ± BEND ±		
TWO PLACE DECIMAL ±		
THREE PLACE DECIMAL ±		
INTERPRET GEOMETRIC TOLERANCING PER:		
MATERIAL		
FINISH		
USED ON		
APPLICATION		
DO NOT SCALE DRAWING		

TITLE:	
SIZE	DWG. NO.
<b>A</b>	Wooden Block Car
SCALE: 1:5	WEIGHT:
SHEET 1 OF 1	

**PROPRIETARY AND CONFIDENTIAL**  
 THE INFORMATION CONTAINED IN THIS DRAWING IS THE SOLE PROPERTY OF <INSERT COMPANY NAME HERE>. ANY REPRODUCTION IN PART OR AS A WHOLE WITHOUT THE WRITTEN PERMISSION OF <INSERT COMPANY NAME HERE> IS PROHIBITED.

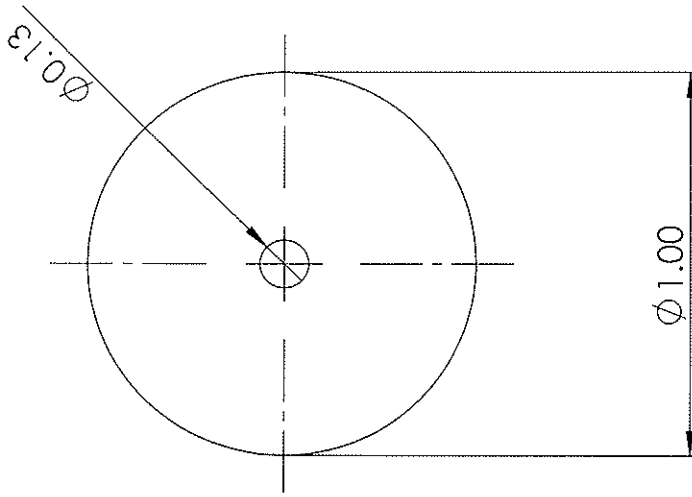


UNLESS OTHERWISE SPECIFIED:		NAME	DATE
DIMENSIONS ARE IN INCHES		DRAWN	
TOLERANCES:		CHECKED	
FRACTIONAL ±		ENG APPR.	
ANGULAR: MACH ± BEND ±		MFG APPR.	
TWO PLACE DECIMAL ±		Q.A.	
THREE PLACE DECIMAL ±		COMMENTS:	
INTERPRET GEOMETRIC TOLERANCING PER:			
MATERIAL			
FINISH			
NEXT ASSY		USED ON	
APPLICATION		DO NOT SCALE DRAWING	
5		3	
6		2	
7		1	

**PROPRIETARY AND CONFIDENTIAL**  
 THE INFORMATION CONTAINED IN THIS DRAWING IS THE SOLE PROPERTY OF <INSERT COMPANY NAME HERE>. ANY REPRODUCTION IN PART OR AS A WHOLE WITHOUT THE WRITTEN PERMISSION OF <INSERT COMPANY NAME HERE> IS PROHIBITED.

TITLE:  
 SIZE DWG. NO. **A** Wooden Block REV  
 SCALE: 1:2 WEIGHT: SHEET 1 OF 1

0.25



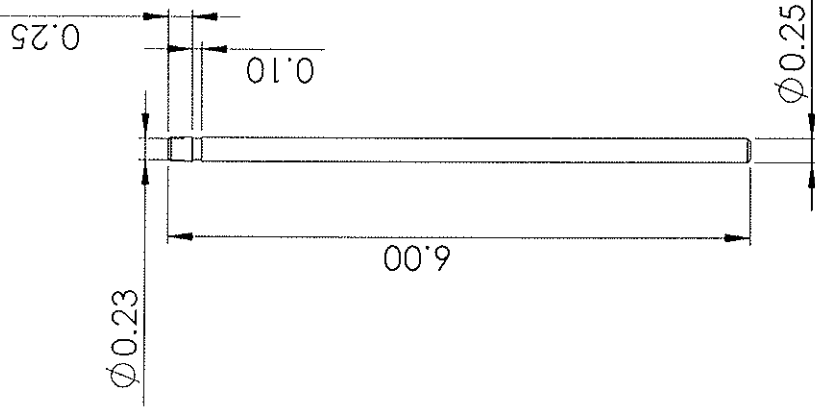
UNLESS OTHERWISE SPECIFIED:		NAME	DATE
DIMENSIONS ARE IN INCHES		DRAWN	
TOLERANCES:		CHECKED	
FRACTIONAL ±		ENG APPR.	
ANGULAR: MACH ±		MFG APPR.	
TWO PLACE DECIMAL ±		Q.A.	
THREE PLACE DECIMAL ±		COMMENTS:	
INTERPRET GEOMETRIC TOLERANCING PER:			
MATERIAL			
FINISH			
NEXT ASSY			
APPLICATION			
DO NOT SCALE DRAWING			

TITLE:

**PROPRIETARY AND CONFIDENTIAL**  
 THE INFORMATION CONTAINED IN THIS DRAWING IS THE SOLE PROPERTY OF <INSERT COMPANY NAME HERE>. ANY REPRODUCTION IN PART OR AS A WHOLE WITHOUT THE WRITTEN PERMISSION OF <INSERT COMPANY NAME HERE> IS PROHIBITED.

SIZE DWG. NO. **A** Wheel REV

SCALE: 2:1 WEIGHT: SHEET 1 OF 1



**PROPRIETARY AND CONFIDENTIAL**  
 THE INFORMATION CONTAINED IN THIS DRAWING IS THE SOLE PROPERTY OF KINSERT COMPANY NAME HERE>. ANY REPRODUCTION IN PART OR AS A WHOLE WITHOUT THE WRITTEN PERMISSION OF KINSERT COMPANY NAME HERE> IS PROHIBITED.

UNLESS OTHERWISE SPECIFIED:		DRAWN	NAME	DATE	TITLE:	SIZE	DWG. NO.	REV
DIMENSIONS ARE IN INCHES								
TOLERANCES:		ENG APPR.						
FRACTIONAL ±		MFG APPR.						
ANGULAR: MACH ±		Q.A.						
BEND ±		COMMENTS:						
TWO PLACE DECIMAL ±								
THREE PLACE DECIMAL ±								
INTERPRET GEOMETRIC TOLERANCING PER:								
MATERIAL								
FINISH								
NEXT ASSY								
USED ON								
APPLICATION								
DO NOT SCALE DRAWING								
SCALE: 1:2								
WEIGHT:								
SHEET 1 OF 1								