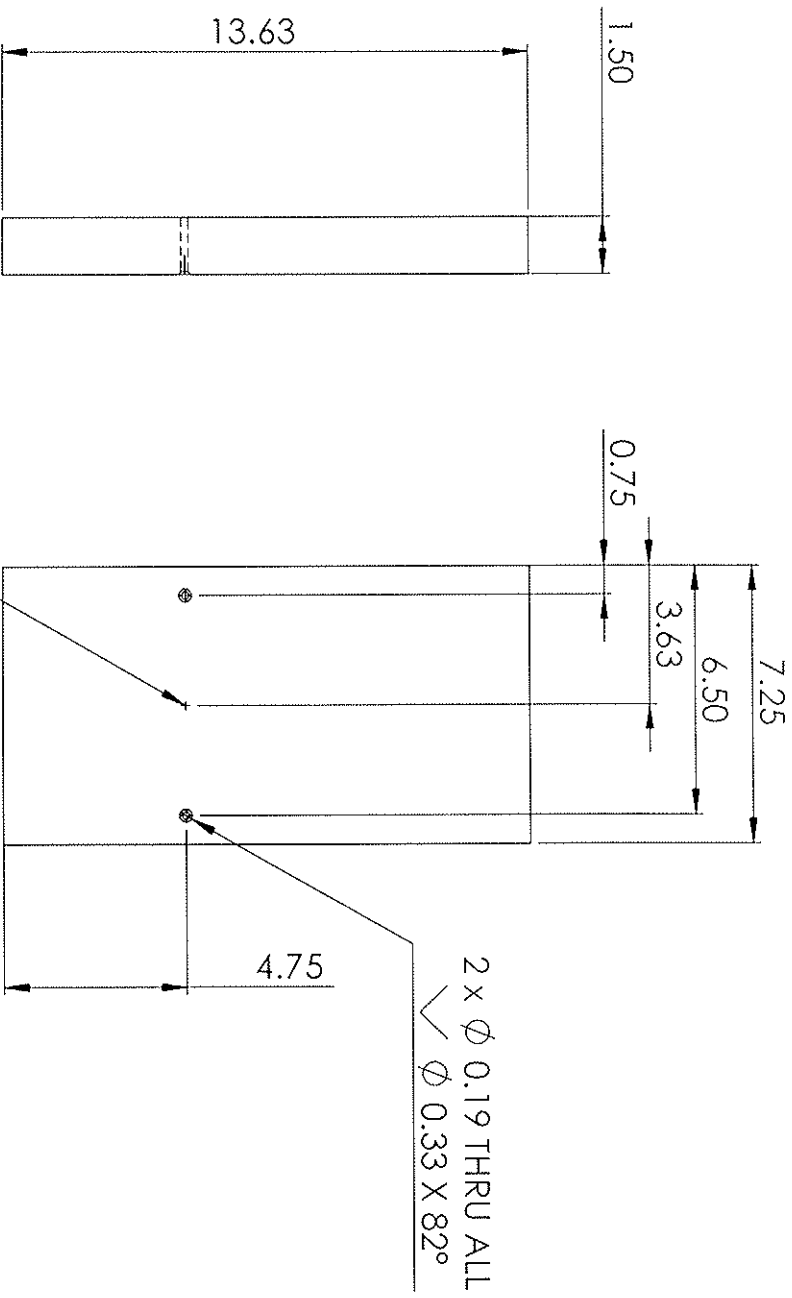


ITEM NO.	PART NUMBER	DESCRIPTION	QTY.
1	Top	2" x 8" Pine	1
2	Upright	2" x 8" Pine	2
3	Brace	2" x 8" Pine	1
4	90305A132	McMaster Carr	8
5	9496T33	McMaster Carr	6

UNLESS OTHERWISE SPECIFIED:		NAME	DATE
DIMENSIONS ARE IN INCHES		DRAWN	
TOLERANCES:		CHECKED	
FRACTIONAL ±		ENG APPR.	
ANGULAR: MACH ±		MFG APPR.	
TWO PLACE DECIMAL ±		Q.A.	
THREE PLACE DECIMAL ±		COMMENTS:	
INTERPRET GEOMETRIC TOLERANCING PER:			
MATERIAL			
FINISH			
DO NOT SCALE DRAWING			
USED ON			
NEXT ASSY			
APPLICATION			

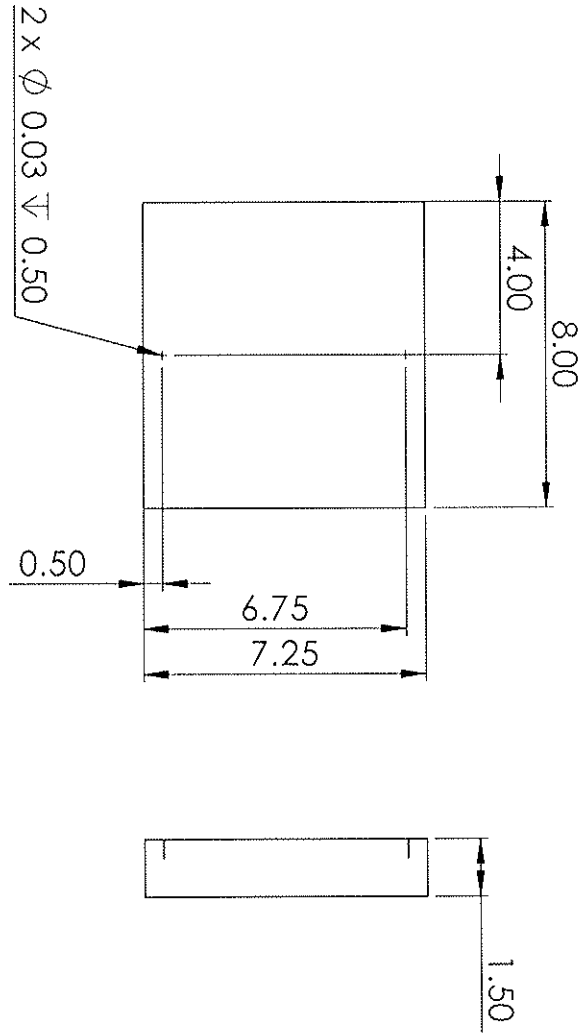
SIZE	DWG. NO.	REV
A	Tipping Stand	
SCALE: 1:10	WEIGHT:	SHEET 1 OF 1

PROPRIETARY AND CONFIDENTIAL
 THE INFORMATION CONTAINED IN THIS DRAWING IS THE SOLE PROPERTY OF <INSERT COMPANY NAME HERE>. ANY REPRODUCTION IN PART OR AS A WHOLE WITHOUT THE WRITTEN PERMISSION OF <INSERT COMPANY NAME HERE> IS PROHIBITED.



PROPRIETARY AND CONFIDENTIAL
 THE INFORMATION CONTAINED IN THIS DRAWING IS THE SOLE PROPERTY OF <INSERT COMPANY NAME HERE>. ANY REPRODUCTION IN PART OR AS A WHOLE WITHOUT THE WRITTEN PERMISSION OF <INSERT COMPANY NAME HERE> IS PROHIBITED.

		UNLESS OTHERWISE SPECIFIED:							
		DIMENSIONS ARE IN INCHES		DRAWN		NAME		DATE	
		TOLERANCES:		CHECKED					
		FRACTIONAL ±		ENG APPR.					
		ANGULAR: MACH ± BEND ±		MFG APPR.					
		TWO PLACE DECIMAL ±		COMMENTS:					
		THREE PLACE DECIMAL ±		Q.A.					
		INTERPRET GEOMETRIC TOLERANCING PER:							
		MATERIAL							
		FINISH							
NEXT ASSY		USED ON							
APPLICATION		DO NOT SCALE DRAWING							
5	4	3	2	TITLE:		SIZE	DWG. NO.	WEIGHT:	REV
						A	Upright		
						SCALE: 1:5			SHEET 1 OF 1

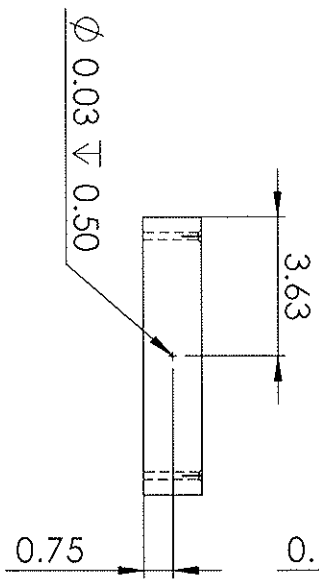
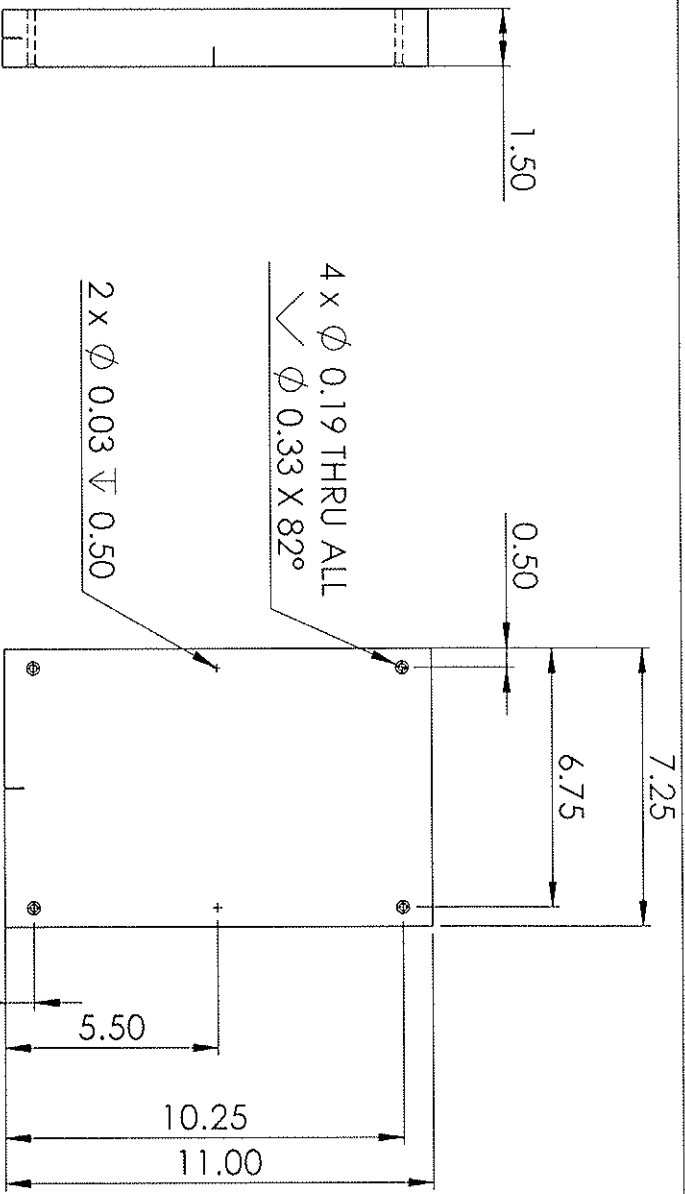


PROPRIETARY AND CONFIDENTIAL

THE INFORMATION CONTAINED IN THIS DRAWING IS THE SOLE PROPERTY OF <INSERT COMPANY NAME HERE>. ANY REPRODUCTION IN PART OR AS A WHOLE WITHOUT THE WRITTEN PERMISSION OF <INSERT COMPANY NAME HERE> IS PROHIBITED.

		UNLESS OTHERWISE SPECIFIED: DIMENSIONS ARE IN INCHES TOLERANCES: FRACTIONAL ± ANGULAR: MACH ± BEND ± TWO PLACE DECIMAL ± THREE PLACE DECIMAL ±		DRAWN	NAME	DATE
		INTERPRET GEOMETRIC TOLERANCING PER:		CHECKED		
		MATERIAL		ENG APPR.		
		FINISH		MFG APPR.		
NEXT ASSY		USED ON		COMMENTS:		
APPLICATION		DO NOT SCALE DRAWING		Q.A.		

TITLE:				SIZE	DWG. NO.	REV
				A	Brace	
SCALE: 1:5		WEIGHT:		SHEET 1 OF 1		



PROPRIETARY AND CONFIDENTIAL
 THE INFORMATION CONTAINED IN THIS DRAWING IS THE SOLE PROPERTY OF <INSERT COMPANY NAME HERE>. ANY REPRODUCTION IN PART OR AS A WHOLE WITHOUT THE WRITTEN PERMISSION OF <INSERT COMPANY NAME HERE> IS PROHIBITED.

UNLESS OTHERWISE SPECIFIED: DIMENSIONS ARE IN INCHES TOLERANCES: FRACTIONAL ± ANGULAR: MACH ± BEND ± TWO PLACE DECIMAL ± THREE PLACE DECIMAL ±		DRAWN	NAME	DATE	TITLE:
INTERPRET GEOMETRIC TOLERANCING PER:		CHECKED			
MATERIAL		ENG APPR.			
FINISH		MFG APPR.			
APPLICATION	USED ON	COMMENTS:			SIZE
DO NOT SCALE DRAWING					DWG. NO.
					SCALE: 1:5
					WEIGHT:
					SHEET 1 OF 1
					REV

5 4 3 2 1