

ITEM NO.	PART NUMBER	DESCRIPTION	QTY.
1	Long Piece	Poplar	1
2	Short Piece	Poplar	1
3	90198A173	McMaster Carr	2
4	9496T33	McMaster Carr	4

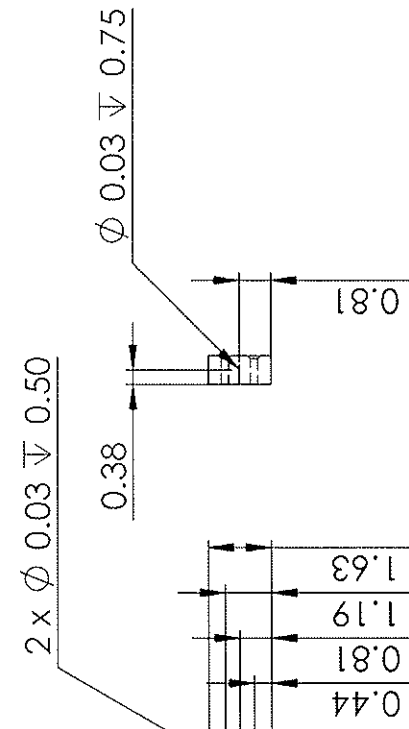
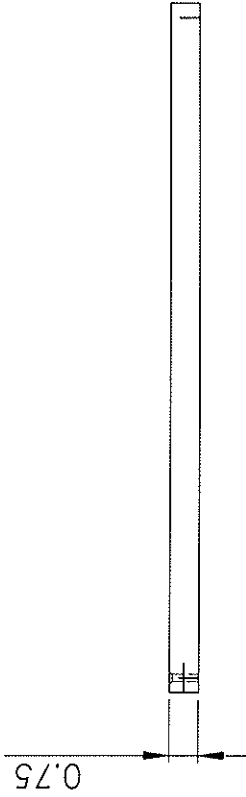
UNLESS OTHERWISE SPECIFIED:	NAME	DATE
DIMENSIONS ARE IN INCHES	DRAWN	
TOLERANCES:	CHECKED	
FRACTIONAL: ±	ENG APPR.	
ANGULAR: MACH ± BEND ±	MFG APPR.	
TWO PLACE DECIMAL ±	Q.A.	
THREE PLACE DECIMAL ±	COMMENTS:	
INTERPRET GEOMETRIC TOLERANCING PER:		
MATERIAL		
FINISH		
USED ON		
APPLICATION		

TITLE:

PROPRIETARY AND CONFIDENTIAL
 THE INFORMATION CONTAINED IN THIS DRAWING IS THE SOLE PROPERTY OF INSERT COMPANY NAME HERE. ANY REPRODUCTION IN PART OR AS A WHOLE WITHOUT THE WRITTEN PERMISSION OF INSERT COMPANY NAME HERE IS PROHIBITED.

SIZE DWG. NO. **A L Assembly** REV

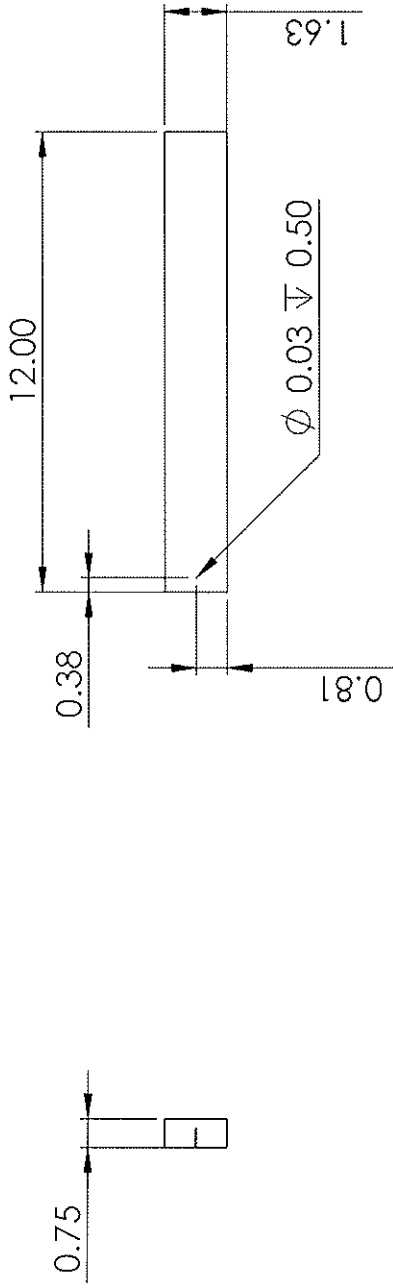
SCALE: 1:10 WEIGHT: SHEET 1 OF 1



2 x Ø 0.19 THRU ALL
 √ Ø 0.33 X 82°

PROPRIETARY AND CONFIDENTIAL
 THE INFORMATION CONTAINED IN THIS
 DRAWING IS THE SOLE PROPERTY OF
 SINSERT COMPANY NAME HERE. ANY
 REPRODUCTION IN PART OR AS A WHOLE
 WITHOUT THE WRITTEN PERMISSION OF
 SINSERT COMPANY NAME HERE IS
 PROHIBITED.

UNLESS OTHERWISE SPECIFIED:		DRAWN		NAME		DATE	
DIMENSIONS ARE IN INCHES		CHECKED					
TOLERANCES:		ENG APPR.					
FRACTIONAL ±		MFG APPR.					
ANGULAR: MACH ±		Q.A.					
BEND ±		COMMENTS:					
TWO PLACE DECIMAL ±							
THREE PLACE DECIMAL ±							
INTERPRET GEOMETRIC							
TOLERANCING PER:							
MATERIAL							
FINISH							
NEXT ASSY							
USED ON							
APPLICATION							
DO NOT SCALE DRAWING							
TITLE:							
SIZE DWG. NO.							
A Long Piece							
REV							
SCALE: 1:5							
WEIGHT:							
SHEET 1 OF 1							



PROPRIETARY AND CONFIDENTIAL
 THE INFORMATION CONTAINED IN THIS DRAWING IS THE SOLE PROPERTY OF SINSERT COMPANY NAME HERE>. ANY REPRODUCTION IN PART OR AS A WHOLE WITHOUT THE WRITTEN PERMISSION OF SINSERT COMPANY NAME HERE> IS PROHIBITED.

UNLESS OTHERWISE SPECIFIED:		DRAWN		NAME		DATE	
DIMENSIONS ARE IN INCHES		CHECKED					
TOLERANCES:		ENG APPR.					
FRACTIONAL ±		MFG APPR.					
ANGULAR: MACH ±		Q.A.					
BEND ±		COMMENTS:					
TWO PLACE DECIMAL ±							
THREE PLACE DECIMAL ±							
INTERPRET GEOMETRIC TOLERANCING PER:							
MATERIAL							
FINISH							
NEXT ASSY							
USED ON							
APPLICATION							
DO NOT SCALE DRAWING							

SIZE DWG. NO. **A Short Piece** REV

SCALE: 1:5 WEIGHT: SHEET 1 OF 1