



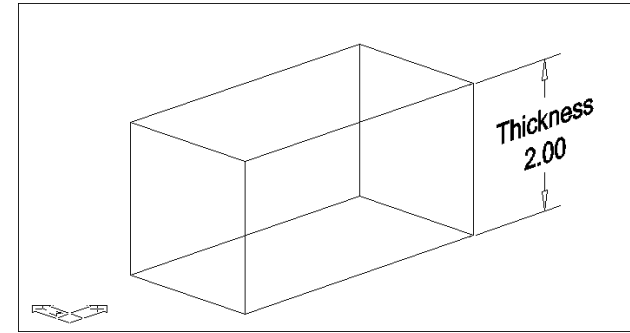
Chapter 2

Thickness and Elevation

Thickness Command 2.1


Sets the current 3D solid thickness.

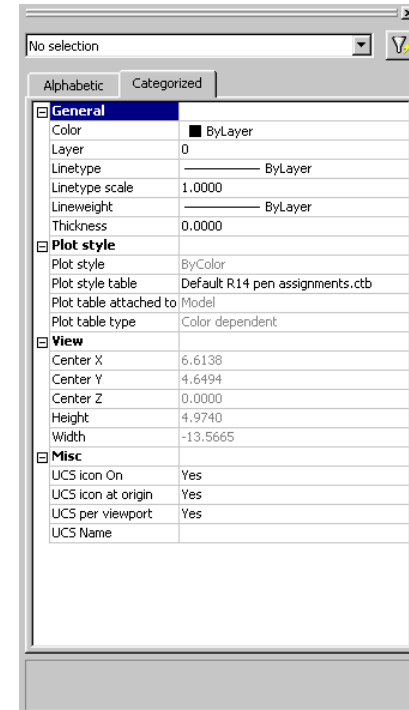
1. **Type** THICKNESS at the command prompt.
Command: **thickness**
Enter new value for THICKNESS <0.0000>: **2.00**



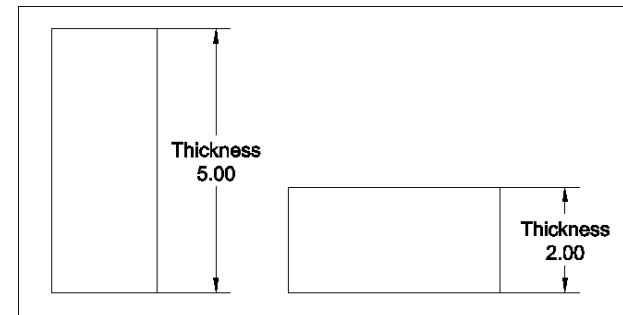
Changing the Current Thickness 2.2

Changing the current properties of an object changes its thickness.

1. **Choose** Modify, Properties...
or
2. **Type** DDMODIFY or DDCHPROP at the command prompt.
Command: **ddmodify** or **ddchprop**
or
3. **Choose**  from the Standard Toolbar



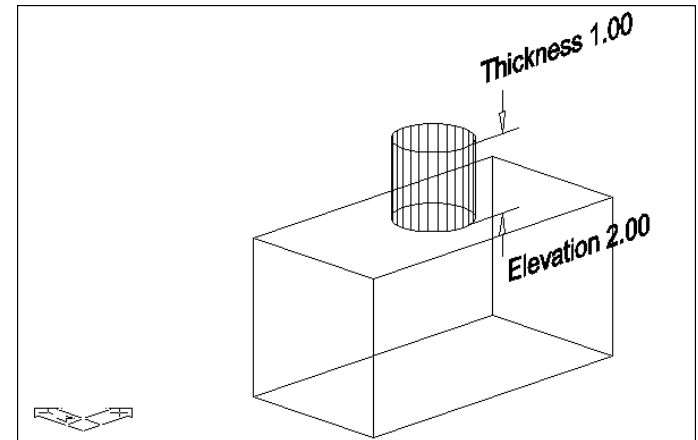
Changes the current thickness of an object



Elevation Command 2.3

Stores the current elevation relative to the current UCS for the current space.

1. **Type** ELEVATION at the command prompt.
Command: **elevation**
Enter new value for ELEVATION <0.0000>: **2.00**



Shortcut to Elevation & Thickness Commands 2.4

1. **Type** ELEV at the command prompt.
Command: **elev**
Specify new default elevation: <2.0000>:
Specify new default thickness: <3.0000>:

