

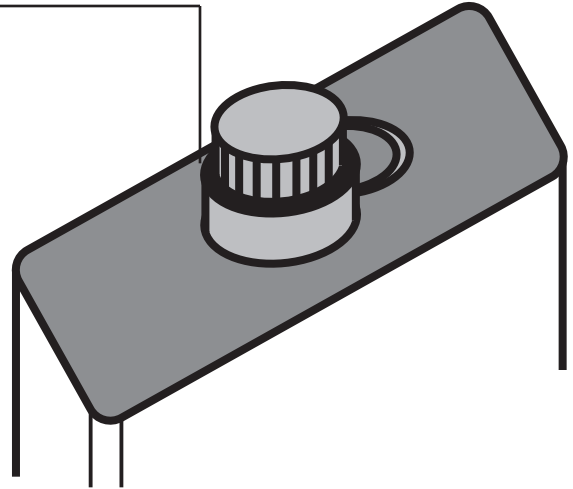
Interaction Widget

Lacquer Thinner Lid

Problems:

Very difficult to open
(Pry open with screwdriver)

Impossible to pour without spilling all
over the side of container

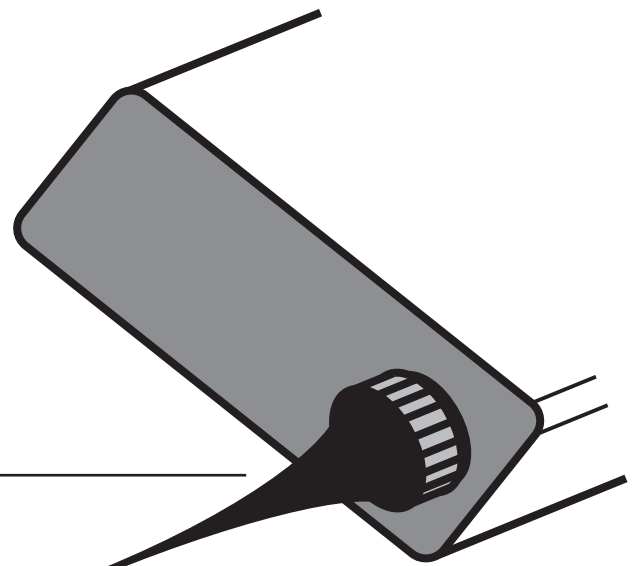
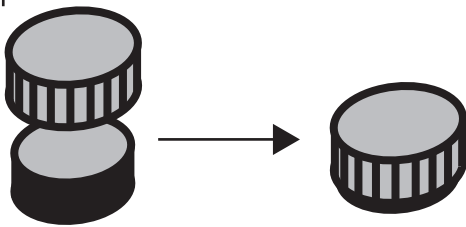


Solutions:

Change opening mechanism to a screw on top

Move opening to one end of the container

Include a snap on pouring top to improve accuracy and
cleanliness of pour



Directions:

User screws the lid off and then
screws on the pouring lid.

Related Widgets:

Paint can lids
Personal milk container lids
Contact lens lids