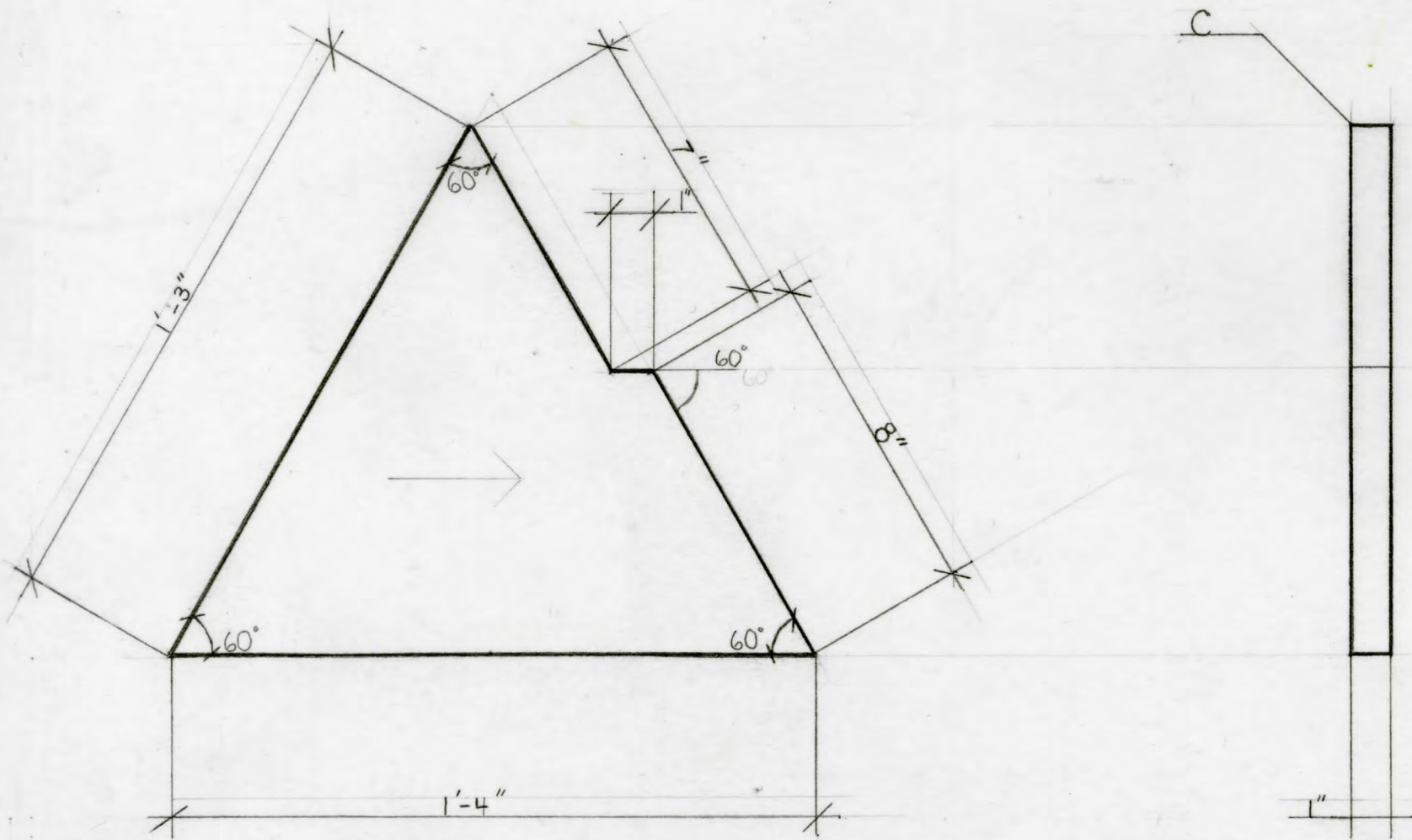
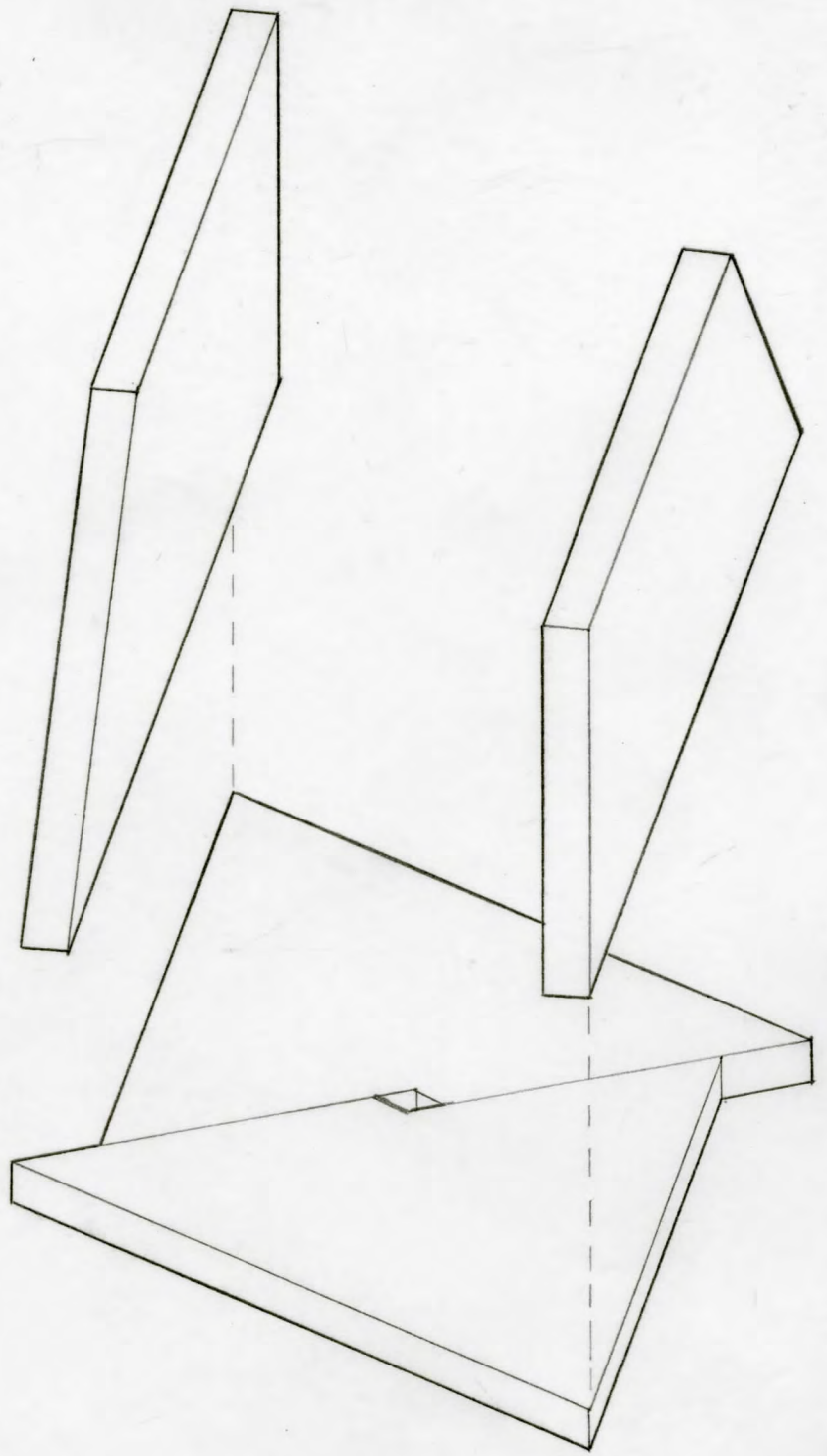
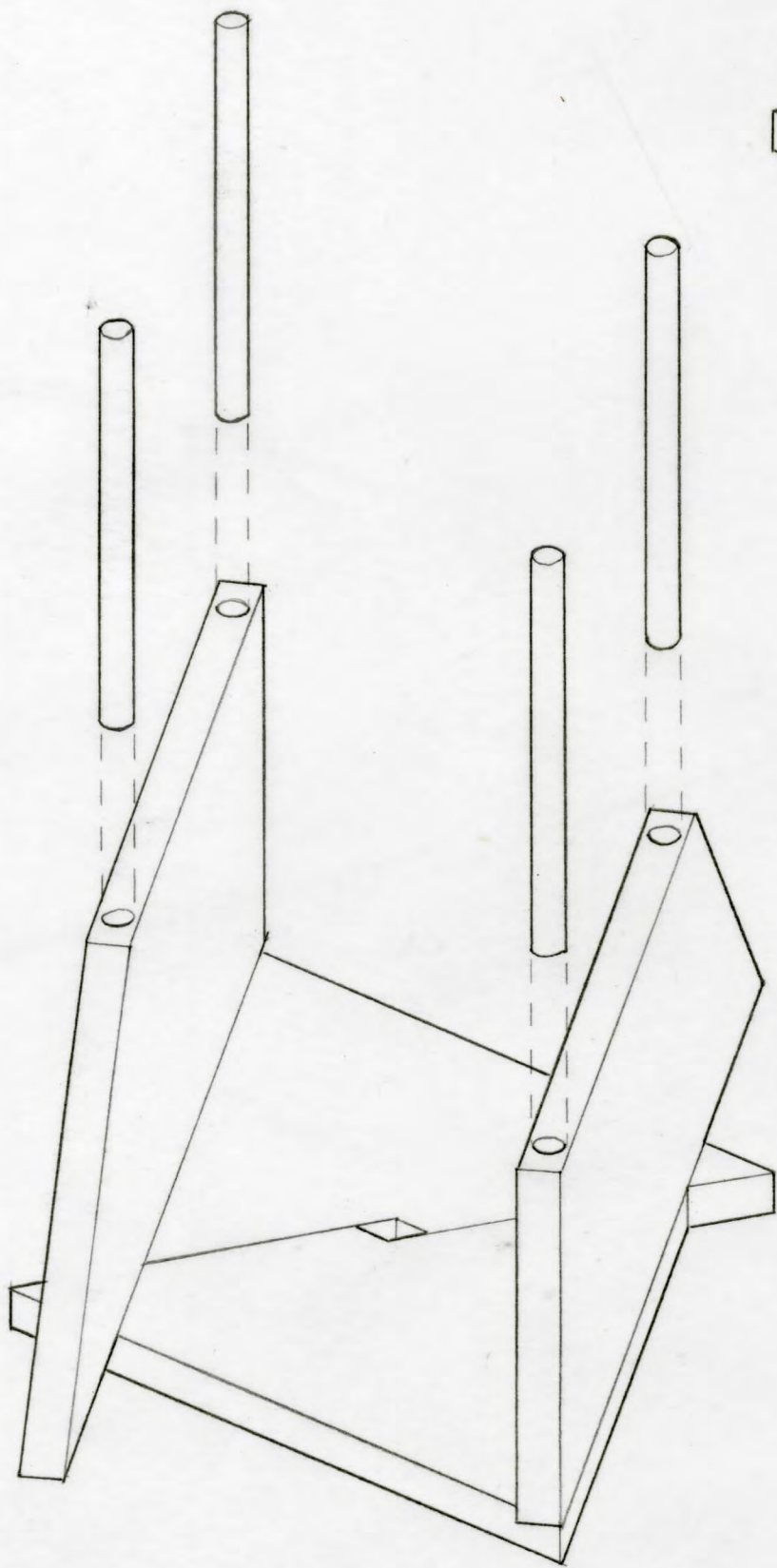


CUT LIST

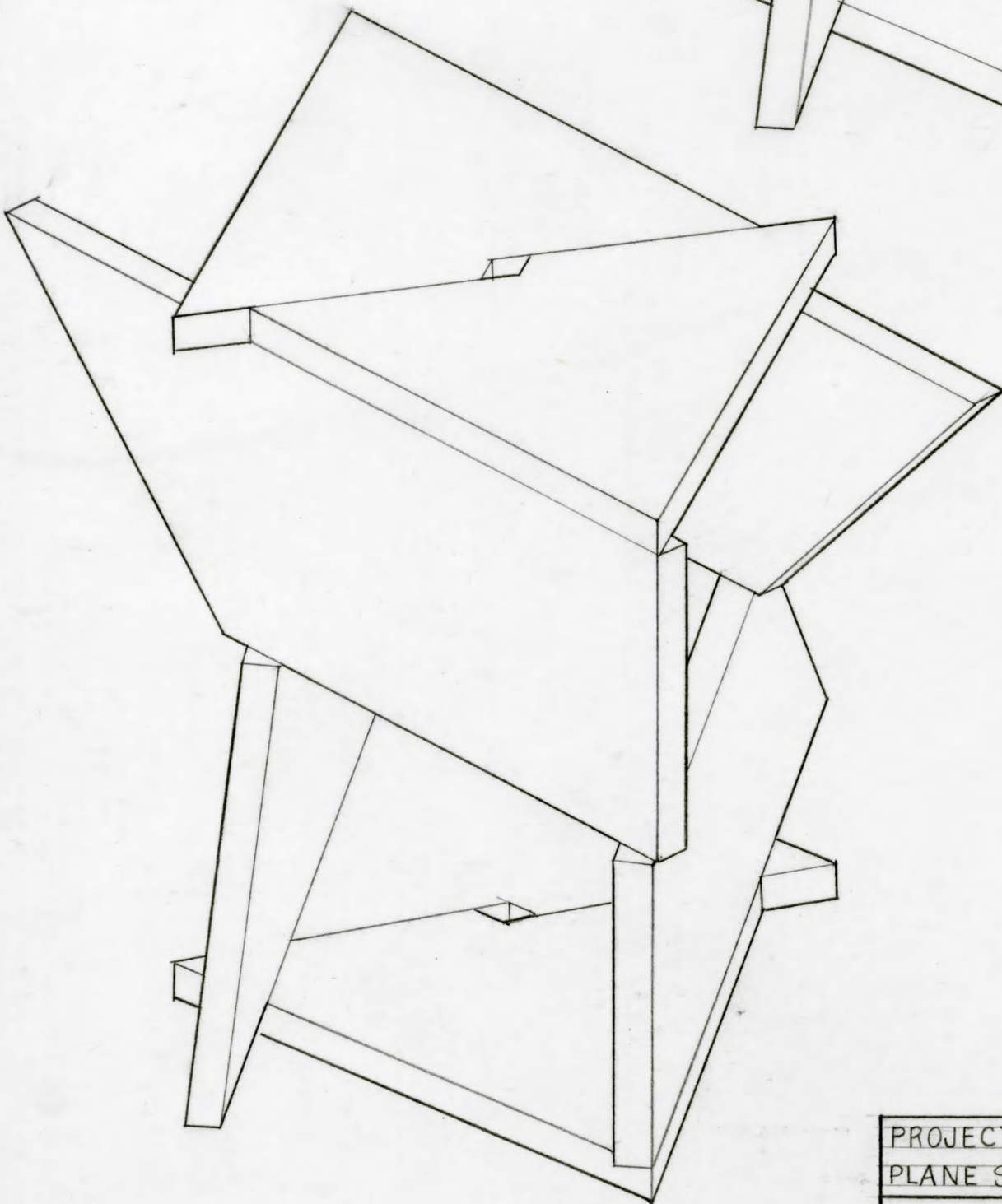
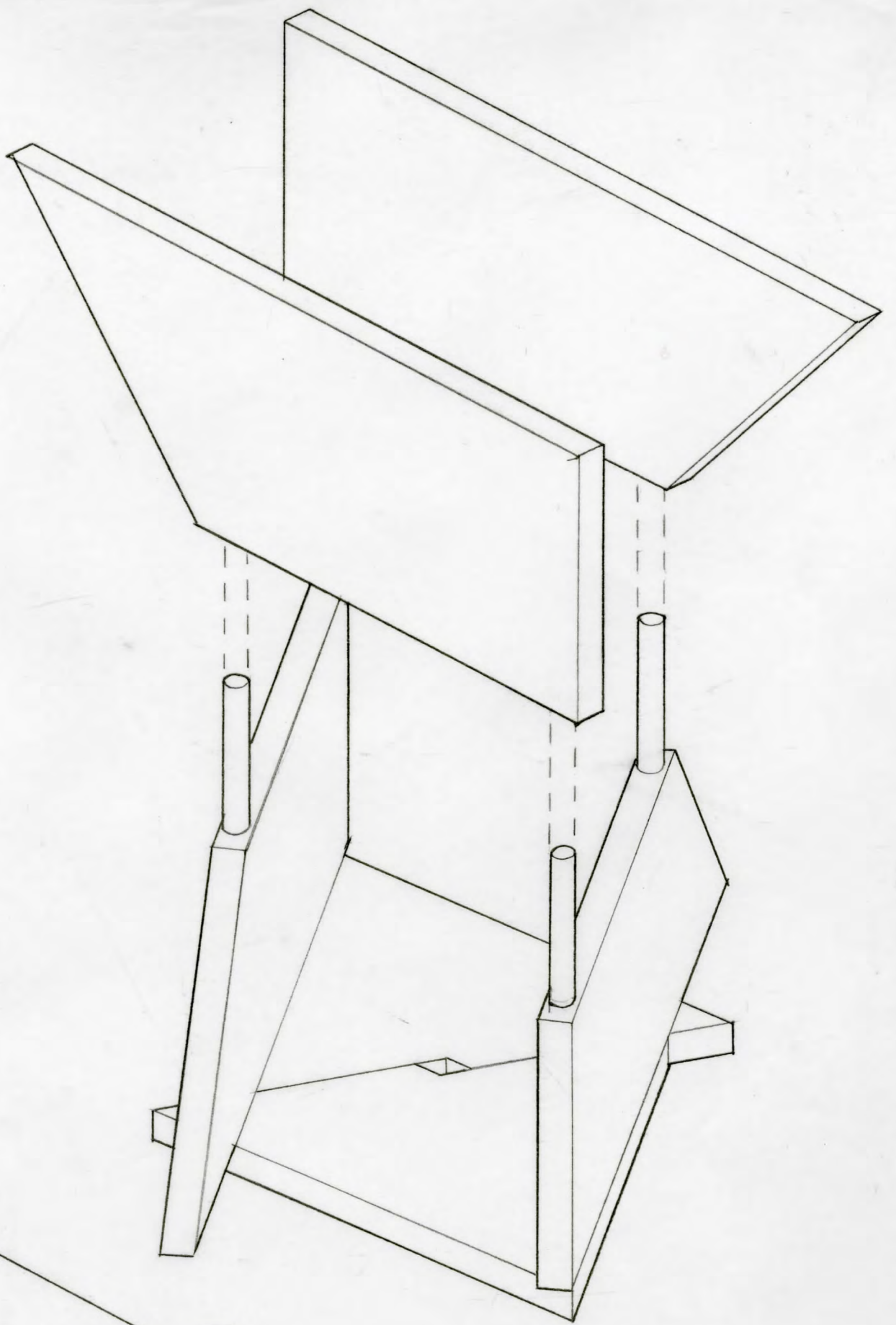
- PART A: JOINT X 4
WOODEN DOWEL
DIAMETER 3/4"
LENGTH 10"
- PART B: SIDE X 4
WOOD THICKNESS 1"
HEIGHT 9"
ROUGH WIDTH 24"
EXACT WIDTHS 24", 16"
- PART C: BASE/TOP X 4
WOOD THICKNESS 1"
ROUGH CUT:
EQUILATERAL TRIANGLE
SIDE LENGTH 16"



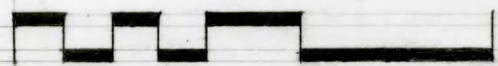
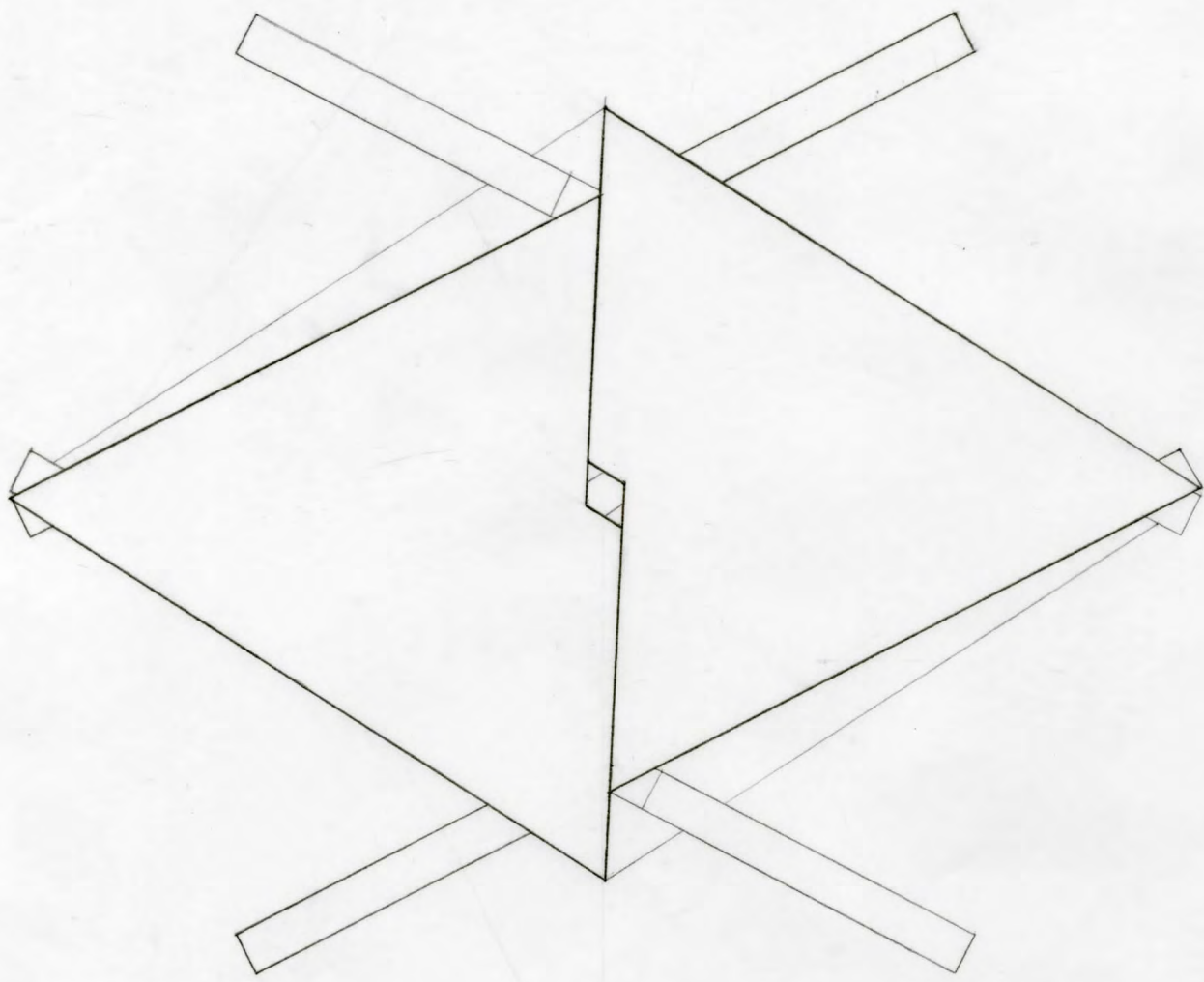
PROJECT I:	1/4" = 1"	SARA	
PLANE STAND		HUMEL	
CUT LIST	DRAWING I	02/05/2012	



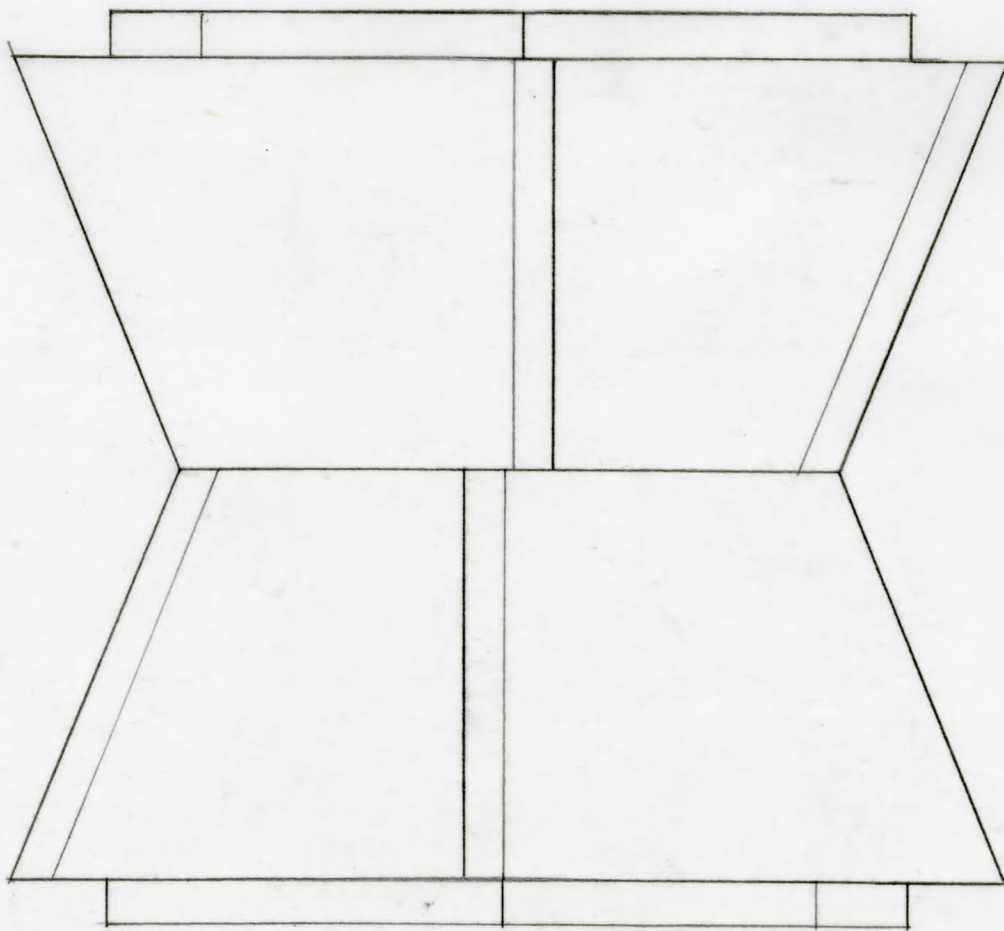
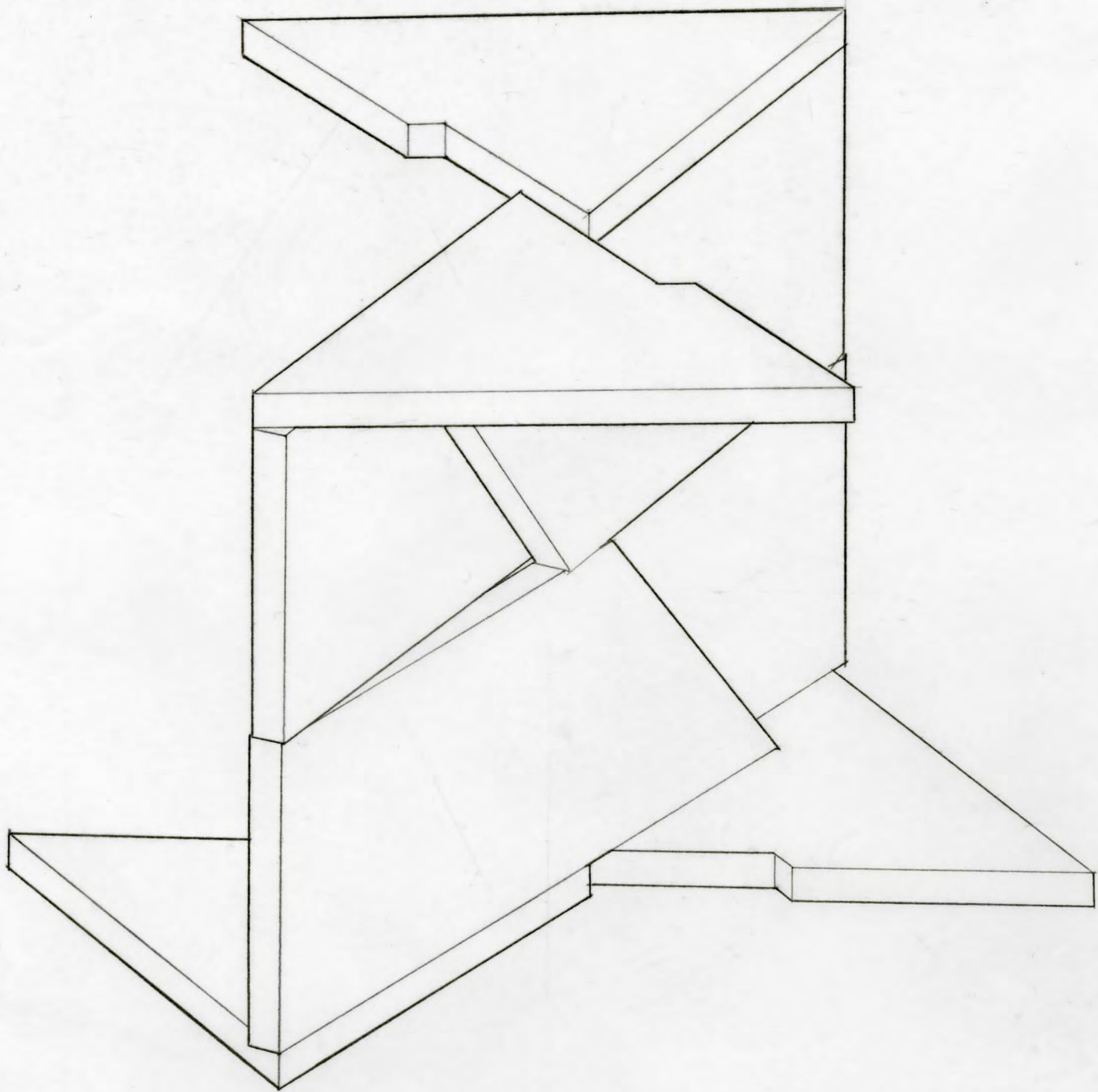
PROJECT 1:	1/4" = 1"	SARA	
PLANE STAND		HUMEL	
ASSEMBLY 1	DRAWING 2	02/05/2012	



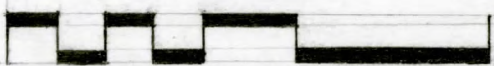
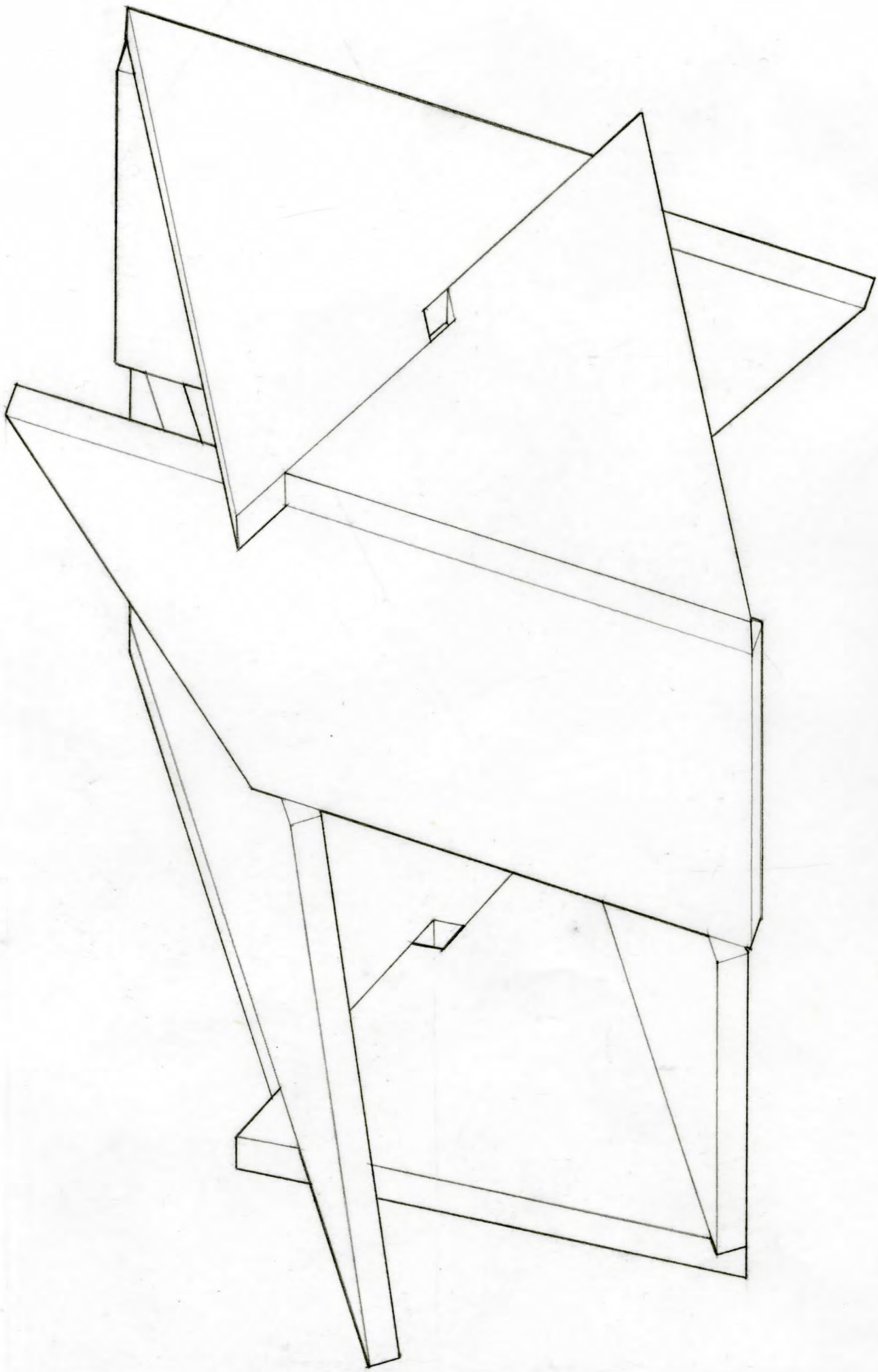
PROJECT I:	1/4" = 1"	SARA	
PLANE STAND		HUMEL	
ASSEMBLY 2	DRAWING 3	02/05/2012	



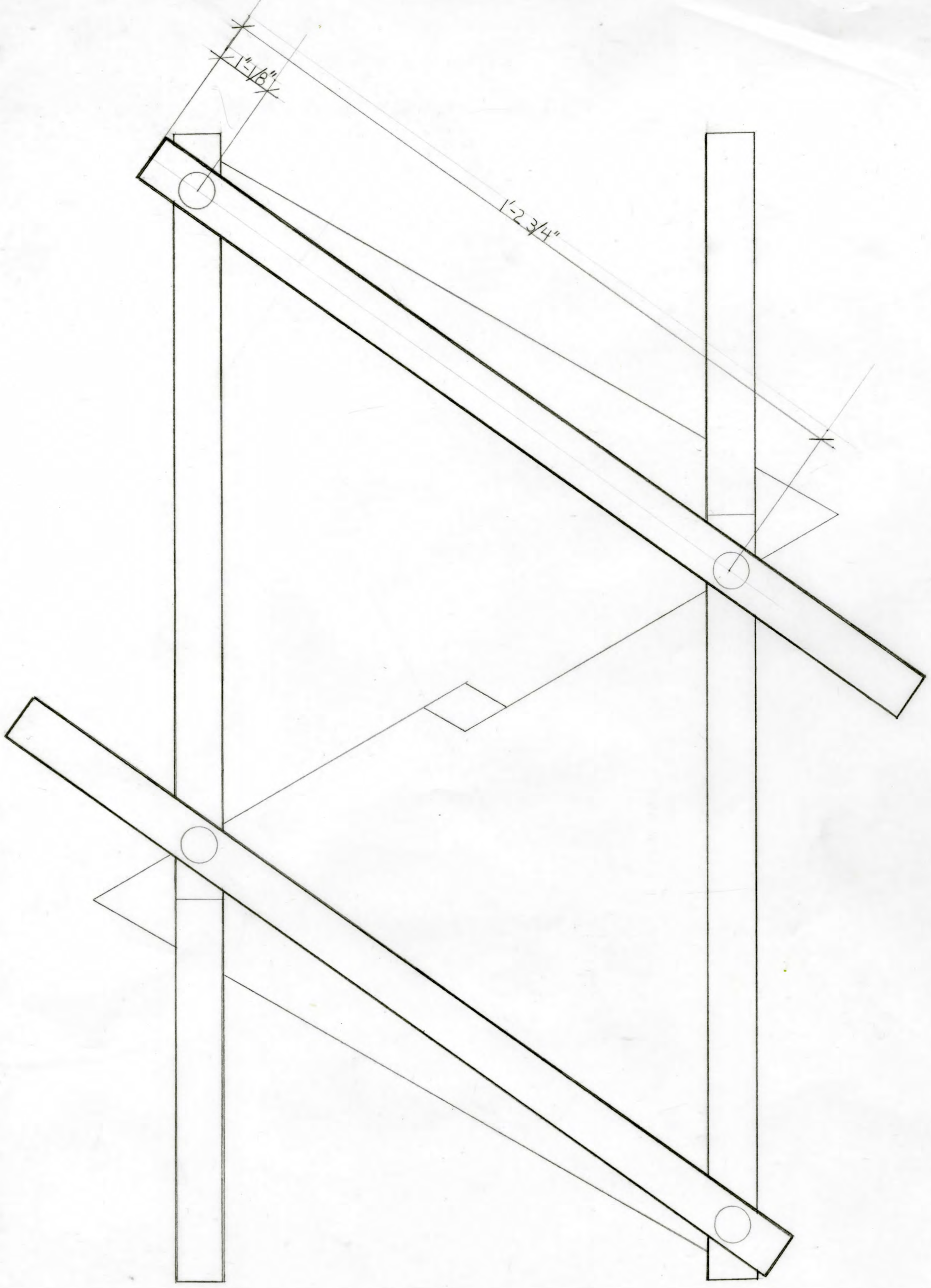
PROJECT 1:	1/4" = 1"	SARA
PLANE STAND		HUMEL
PLAN AND	DRAWING 4	02/05/2012
ELEVATION		



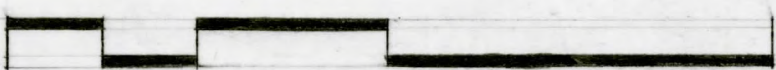
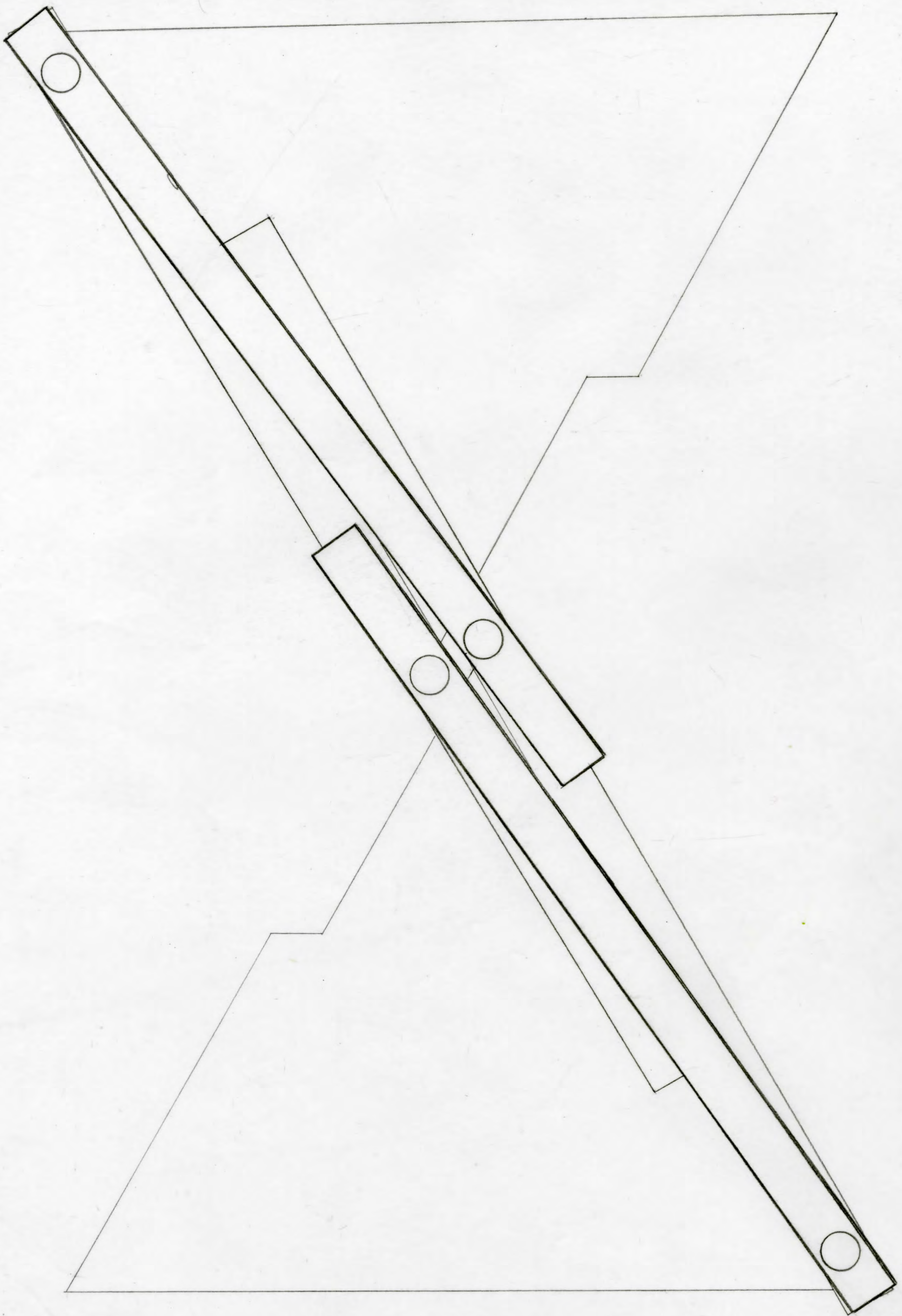
PROJECT 1:	1/4" = 1"	SARA	
PLANE STAND		HUMEL	
PARALINE	DRAWING 5	02/05/2012	
AND RIGHT			



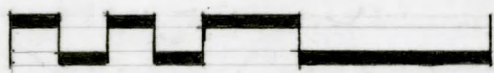
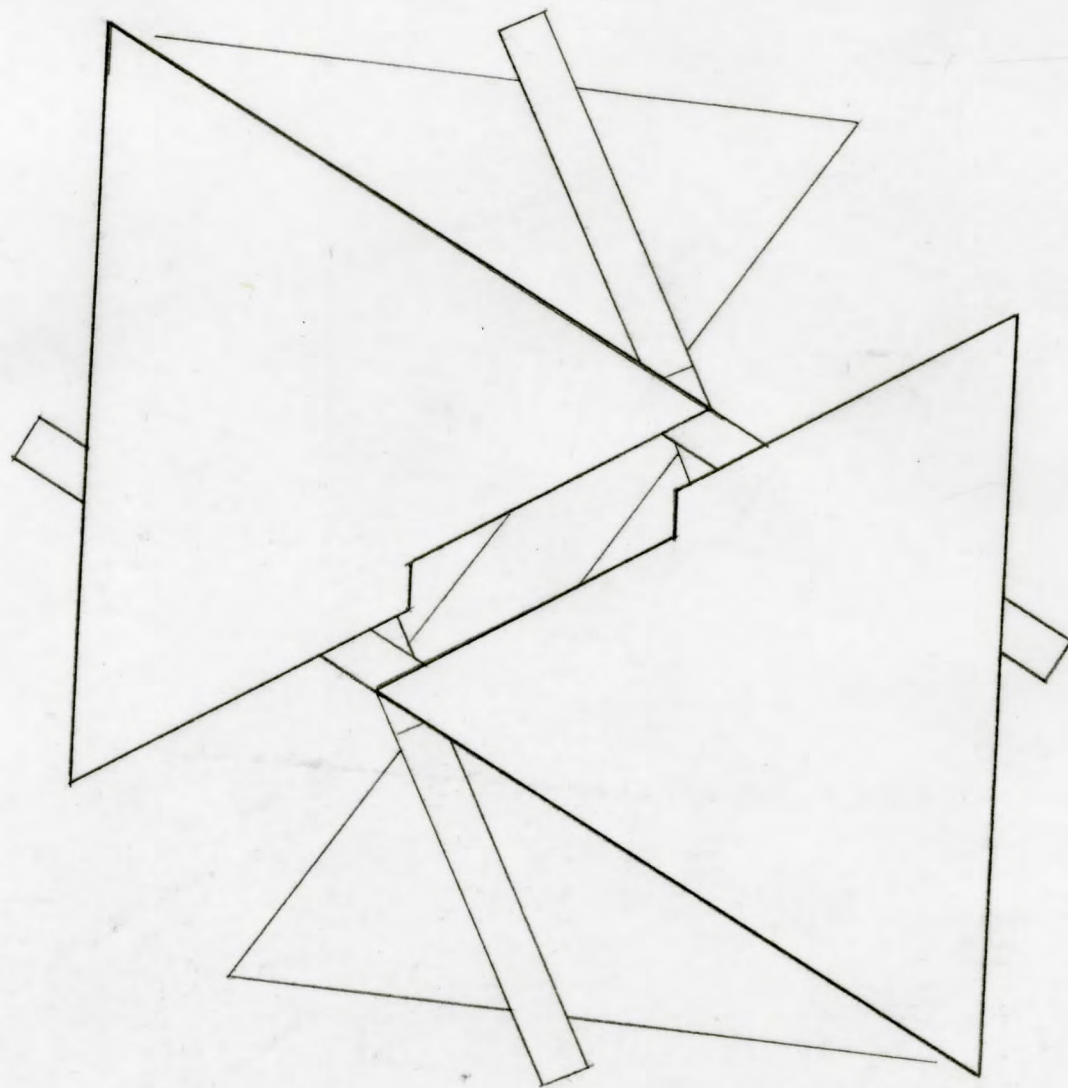
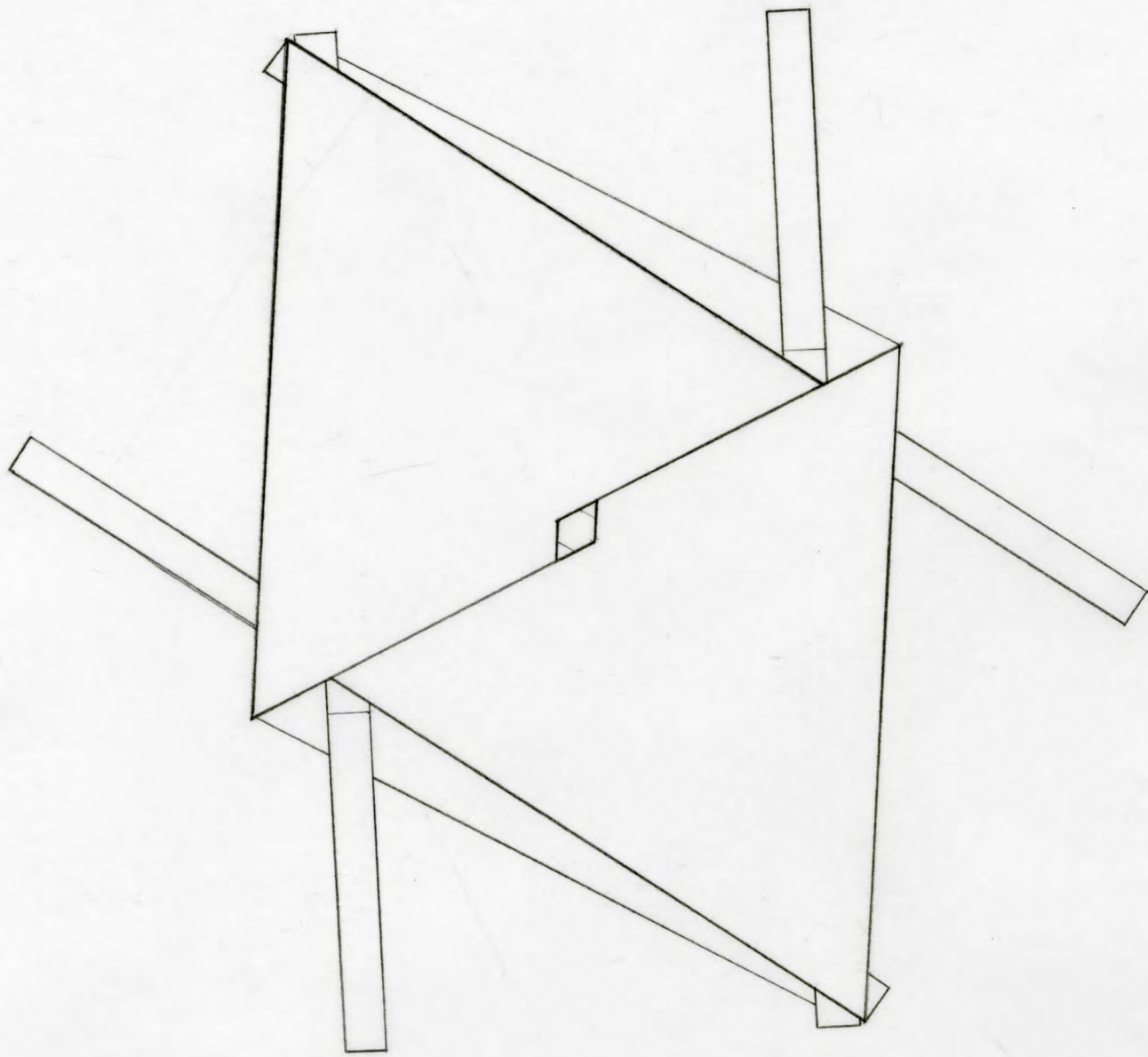
PROJECT 1: PLANE STAND	1/4"=1"	SARA HUMEL	
CLOSED PARALINE	DRAWING 6	02/05/2012	



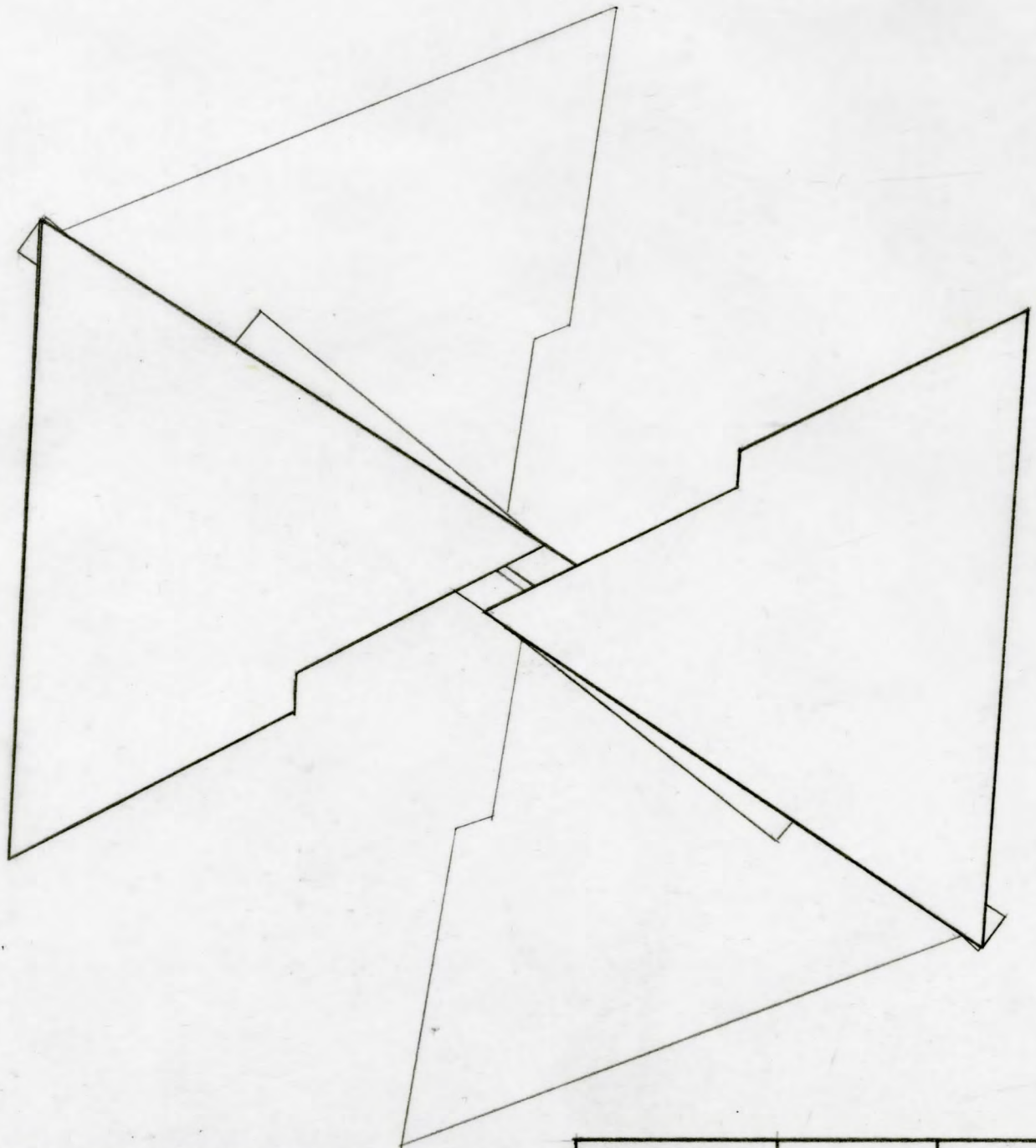
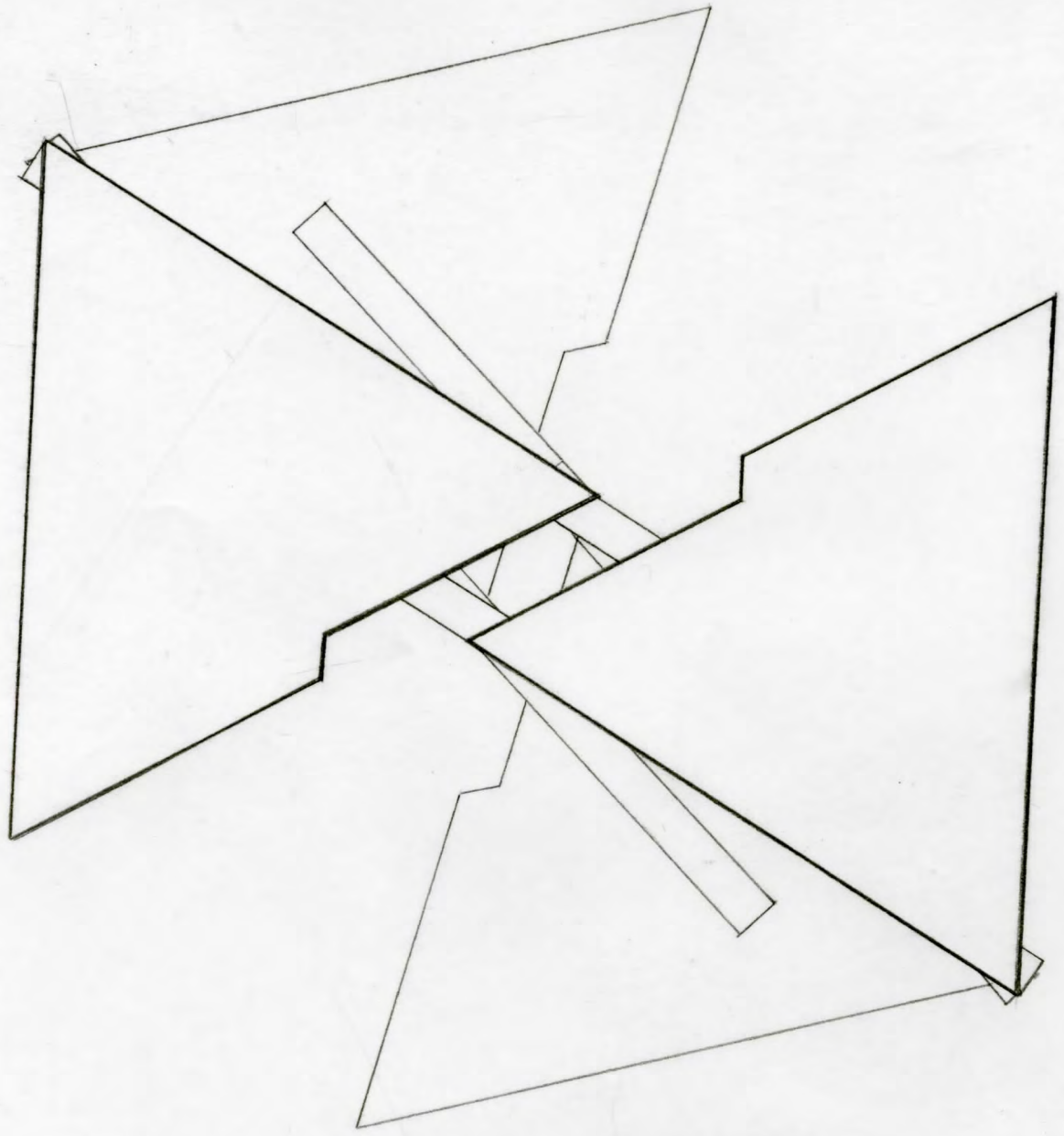
PROJECT 1:	$1/2"=1"$	SARA	
PLANE STAND		HUMEL	
SECTIONAL	DRAWING 7	02/05/2012	
PLAN 1			



PROJECT I:	1/2"=1"	SARA	
PLANE STAND		HUMEL	
SECTIONAL	DRAWING 8	02/05/2012	
PLAN 2			



PROJECT 1:	1/4" = 1"	SARA	
PLANE STAND		HUMEL	
TRANSFORMATION	DRAWING 9	02/05/2012	
1			



PROJECT 1:	1/4" = 1"	SARA	
PLANE STAND		HUMEL	
TRANSFORMATION	DRAWING 10	02/05/2012	
2			